

JUKI®

1-Needle, Unison-feed, Lockstitch Machine
一本針本縫総合送りミシン

DNU-1541

1-Needle, Unison-feed, Lockstitch Machine
(with a Safety Device For Hook)
一本針本縫総合送りミシン (安全装置付き)

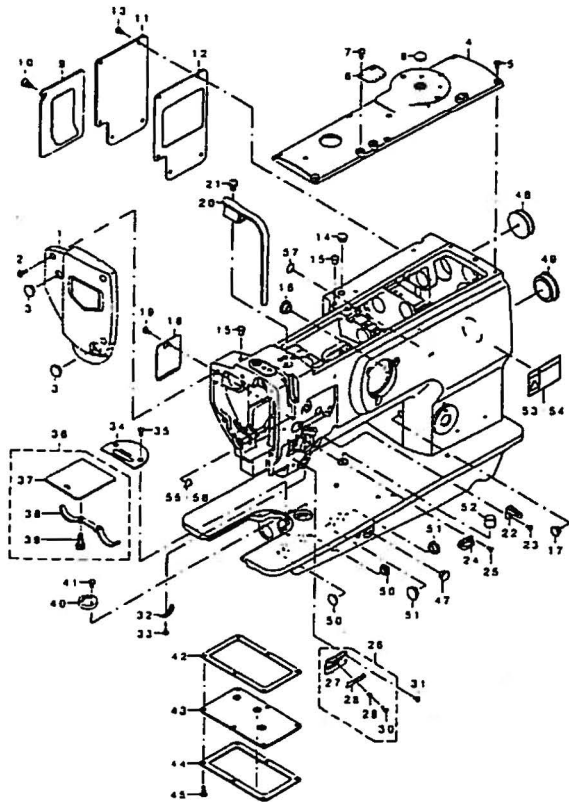
DNU-1541S

PARTS LIST

29349701
No.1309-01

1. FRAME & MISCELLANEOUS COVER COMPONENTS

頭部・外装関係



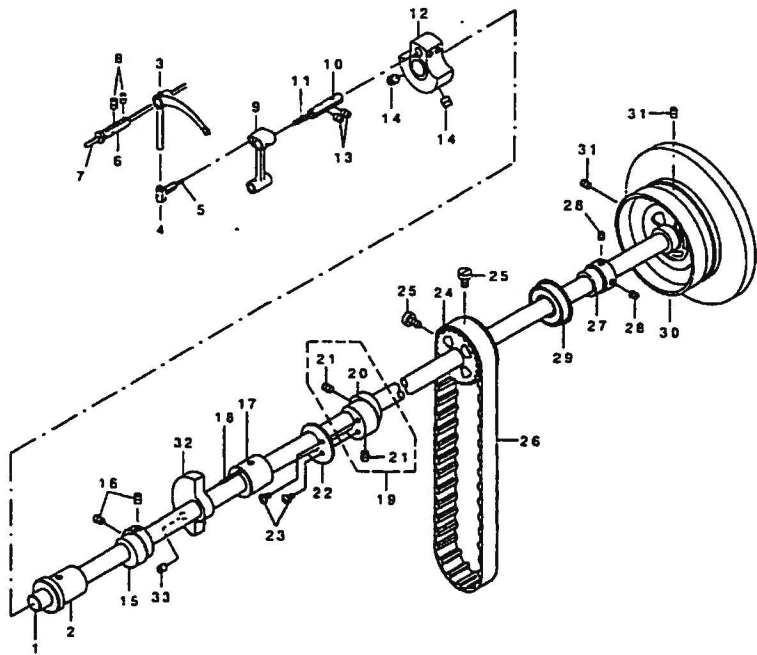
NO.	QTY	NOTE	PART NO.	DESCRIPTION	UNIT	QTY
1			214-01787	FACE PLATE ASM.	9549(92)	1
2			SS-411215-SP	SCREW 11/64-40 Lx12	14" 32" 11/64-40 Lx12	3
3			TA-1250406-RO	RUBBER PLUG Dia.12.5 Lx4	1487 Dia.12.5 Lx4	2
4			213-31301	TOP COVER B	1477 34" - B	1
5			SS-4110815-SP	SCREW 11/64-40 Lx8	14" 32" 11/64-40 Lx8	6
6			213-55804	ARM THREAD GUIDE	7-14777774	1
7			SS-7621040-SP	SCREW 3/16-32 Lx 0.5"	148537 3/16-32 Lx0.5	2
8			TA-1450404-RO	RUBBER PLUG Dia.14.5 Lx4	1487 Dia.14.5 Lx4	1
9			213-51734	WINDOW PLATE A ASM.	14" 584(72)	1
10			213-31302	SEYSCREEN	1487	1
11			213-31303	WINDOW PLATE B	14" 78 B	1
12			213-32002	WINDOW PLATE PACKING B	14" 69 1/2 B	1
13			SS-4110815-SP	SCREW 11/64-40 Lx8	14" 32" 11/64-40 Lx8	5
14			TA-1050504-RO	RUBBER PLUG	1487	1
15			TA-0750704-RO	RUBBER PLUG	1487	2
16			TA-1250504-RO	RUBBER PLUG	1487	1
17			TA-1050504-RO	RUBBER PLUG	1487	1
18			213-32309	SIDE COVER	1487	1
19			SS-4110815-SP	SCREW 11/64-40 Lx8	14" 32" 11/64-40 Lx8	1
20			213-31608	BALANCE COVER	14" 280"	1
21			SS-7150810-TP	SCREW 15/64-24 Lx8	148537 15/64-24 Lx8	1
22			213-55805	THREAD GUIDE	147774	1
23			SS-5090610-SP	SCREW 9/64-40 Lx6	14" 237 9/64-40 Lx6	1
24			B1120-051-000	FRAME THREAD GUIDE, UPPER	147774 92	1
25			SS-2090710-TP	SCREW 9/64-40 Lx7.2	148537 9/64-40 Lx7.2	2
26			214-08554	THREAD GUIDE ASM.	147774(77)	1
27			214-08545	THREAD GUIDE PLATE	147774(5)	1
28			179-12104	HEELLE THREAD PRESSER PLATE	148774(15)	1
29			B1122-521-000	THREAD PRESSER PLATE SPRING	148774(15)	1
30			SP-0380551-SL	HINGE SCREW Dia.3.80 No.5.5	14" 32" Dia.3.8 No.5.5	1
31			SS-2890710-TP	SCREW 9/64-40 Lx7.2	148537 9/64-40 Lx7.2	1
32			B3138-512-000	TAKE-UP SPRING ADJUSTING PLATE	148774 7/16 13-127 1/2	1
33			SS-7080520-TP	SCREW 9/64-40 Lx 4.5	148537 9/64-40 Lx4.5	1
34			214-10006	THROAT PLATE	1487	1
35			SS-2110920-TP	SCREW 11/64-40 Lx8.5	148537 11/64-40 Lx8.5	2
36			B1112-241-HAD	RED SLIDE ASM.	14" 77 71	1
37			B1112-241-H00	RED SLIDE	14" 77 71	1
38			A1111-007-000	SLIDE PLATE SPRING	14" 77 71	1
39			SS-6060210-SP	SCREW 3/32-56 Lx 1.0	148537 3/32-56 Lx1.0	1
40			B1103-141-H00	SCALE BASE PLATE	14" 34" 141"	1
41			SS-7110720-SP	SCREW 11/64-40 Lx7	148537 11/64-40 Lx7	1
42			214-01302	GASKET	14" 77 71 1/2 1/2	1
43			214-01401	OIL TANK COVER	14" 77 71 1/2 1/2	1
44			214-01500	OIL TANK COVER PLATE	14" 77 71 1/2 1/2	1
45			SS-411215-SP	SCREW 11/64-40 Lx12	14" 32" 11/64-40 Lx12	6
46			TA-1050504-RO	RUBBER PLUG	1487	1
47			TA-1050504-RO	RUBBER PLUG	1487	1
48			102-01200	RUBBER PLUG	1487	1
49			226-18100	CAP	14" 32" 774 14777	1
50			TA-1250406-RO	RUBBER PLUG Dia.12.5 Lx4	1487 Dia.12.5 Lx4	2
51			203 YA-1250504-RO	RUBBER PLUG	1487	2
52			203 214-01609	PLUG	14" 77 71 1/2	1
53			201 CH-3002001-01	SAFETY LABEL. 1 (SMALL).	14" 77 71 1/2 1 (1099)	1
54			202 CH-3002001-A1	SAFETY LABEL. 2 (SMALL).	14" 77 71 1/2 2 (1099)	1
55			201 CH-3002000-01	LABEL (16)	14" 77 71 1/2 01 (116)	1
56			202 CH-3002000-01	ATTENTION SEAL	14" 77 71 1/2 01 (116)	1
57			100-04109	GROUND WIRE	14" 77 71 1/2	1

NOTE (注記)
201... FOR JAPAN
202... EXCEPT JAPAN
203... FOR DNU-1541

日本用
日本を除く
DNU-1541用

2. UPPER SHAFT DRIVING & BALANCE COMPONENTS

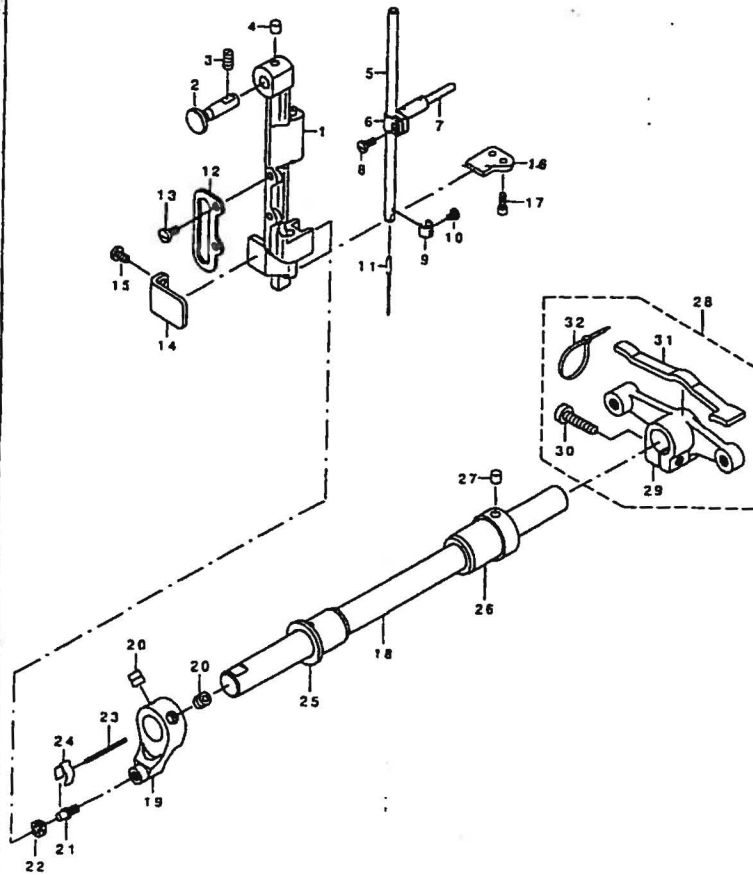
上軸・天秤関係



REF. NO.	NOTE	PART NO.	DESCRIPTION	QTY.
1		213-32705	UPPER SHAFT	1
2		213-33000	UPPER SHAFT FRONT METAL	1
3		214-02102	THREAD TAKE-UP LEVER	1
4		226-05406	TAKE-UP LEVER THRUST PIN	1
5		CQ-2020000-00	OIL WICK	0.03
6		B1906-051-000	TAKE-UP LEVER PIN	1
7		CQ-3030000-00	OIL WICK	0.45
8		SS-8150822-TP	SCREW 15/64-28 L=8	2
9		213-39106	NEEDLE BAR CRANK ROD	1
10		B1210-051-000	NEEDLE BAR CRANK PIN	1
11		CQ-5050000-00	OIL WICK	0.03
12		213-32507	COUNTER WEIGHT (A) (36MM)	1
13		SS-8150822-TP	SCREW 15/64-28 L=8	2
14		SW-8080812-TP	SCREW M8x8	2
15		213-39502	UPPER FEED CAM (3.5)	1
16		SS-8660810-TP	SCREW 1/4-40 L=6	2
17		213-33109	UPPER SHAFT INNER METAL	1
18		CQ-2020000-00	OIL WICK	0.15
19		213-36557	ECCENTRIC CAM A ASW.	1
20		213-36508	ECCENTRIC CAM A	(1)
21		SS-8660810-TP	SCREW 1/4-40 L=6	(2)
22		213-53008	HORIZONTAL FEED CAM COVER	1
23		SS-7110710-SP	SCREW 11/64-40 L=7	2
24		226-04904	UPPER SPROCKET	1
25		SS-6661110-SP	SCREW 1/4-40 L=11	2
26		226-04300	TIMING BELT	1
27		214-02300	UPPER SHAFT BEARING HOOK	1
28		SW-8060600-TP	SCREW M6x6	2
29		B1203-512-000	BUSHING, REAR	1
30		214-02201	FLYWHEEL	1
31		SS-8150822-TP	SCREW 15/64-28 L=8	2
32		213-33406	BALANCER	1
33		SS-8151550-SP	SCREW 15/64-28 L=15	2

3. NEEDLE BAR ROCKING COMPONENTS

針棒揺動関係



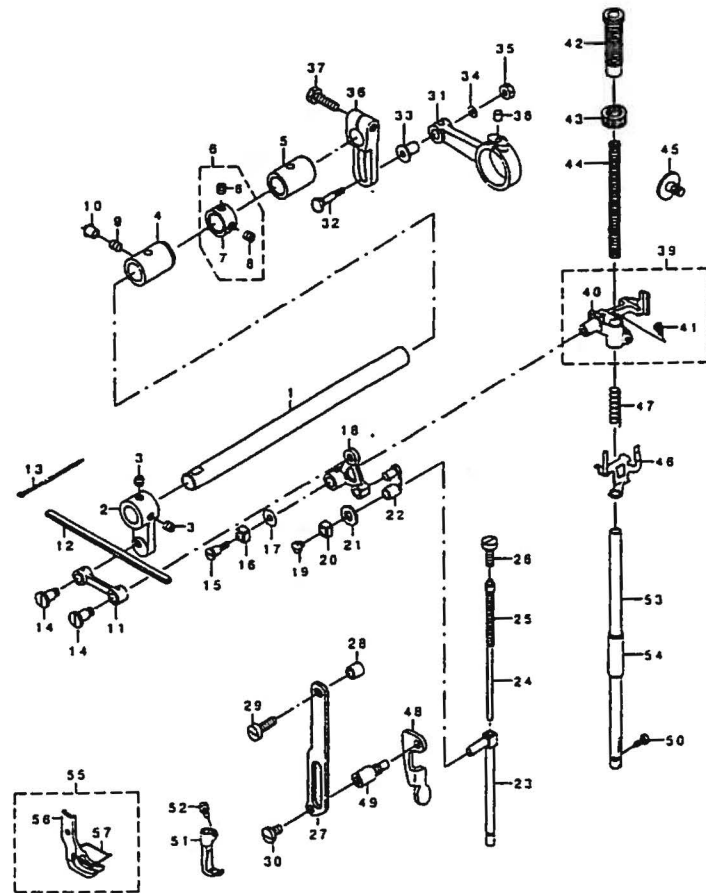
REF. NO.	NOTE	PART NO.	DESCRIPTION	QTY.
1		B1420-563-000	NEEDLE BAR FRAME	1
2		214-05204	HINGE STUD	1
3		SS-8151150-TP	SCREW 15/64-28 L=10.5	1
4		226-14909	FELT	1
5		B1401-053-000	NEEDLE BAR	1
6		B1411-053-000	NEEDLE BAR CONNECTION	1
7		B1412-051-000	FELT	1
8		SS-7090910-SP	SCREW 9/64-40 L=8.5	1
9		103-08609	THREAD GUARD	1
10		SS-7080510-TP	SCREW 1/8-44 L=4.5	1
11		NC-3720016-00	NEEDLE SY3355 160	1
12		B1467-563-000	UPPER FEED BAR GUIDE	1
13		SS-7110910-TP	SCREW 11/64-40 L=6.5	2
14		213-38702	ROCKING BASE GUIDE	1
15		SS-7110830-SP	SCREW 11/64-40 L=7.5	2
16		213-38603	ROCKING BASE GUIDE (E)	1
17		SS-6091022-TP	SCREW	2
18		213-38900	ROCKING SHAFT	1
19		213-38801	ROCKING FRONT ARM	1
20		SN-8080802-TP	SCREW	2
21		B1410-771-000	STUD	1
22		B1414-232-000	SQUARE BLOCK	1
23		CO-2020000-00	OIL WICK	0.05
24		B1437-051-000	OIL WICK RETAINER	1
25		213-39304	ROCKING SHAFT FRONT METAL	1
26		213-39205	ROCKING SHAFT REAR METAL	1
27		226-14909	FELT	1
28		213-39056	ROCKING REAR ARM ASM.	1
29		213-39007	ROCKING REAR ARM	(1)
30		SS-6152440-SP	SCREW 15/64-28 L=23.5	(1)
31		213-47406	ROCKING REAR ARM FELT	(1)
32		EA-9500801-00	CABLE BAND	(2)

REF. NO.	NOTE	PART NO.	DESCRIPTION	QTY.
1		213-40401	UPPER FEED SHAFT	1
2		213-40500	UPPER FEED FRONT ARM	1
3		SS-8660612-TP	SCREW 1/4-40 L=6	2
4		213-41904	FRONT METAL	1
5		213-78302	FEED SHAFT METAL	1
6		229-04155	MAIN SHAFT THRUST COLLAR ASM.	1
7		229-04106	MAIN SHAFT THRUST COLLAR	(1)
8		SS-8660610-TP	SCREW 1/4-40 L=6	(2)
9		SS-8150710-TP	SCREW 15/64-28 L=7	1
10		7A-0750704-R0	RUBBER PLUG	1
11		213-39908	UPPER FEED LINK	1
12		213-47108	FELT	1
13		EA-9500800-00	CLIP CV-705	2
14		B3016-141-H00	HINGE SCREW, B	2
15		SD-0640701-SP	HINGE SCREW D=6.35 H=7	1
16		B1414-555-000	SLIDE BLOCK	1
17		WP-0501046-SC	WASHER 5 X 13 X 1	1
18		213-40807	TRIANGULAR LEVER	1
19		SS-7110510-SP	SCREW 11/64-40 L=5	1
20		B1414-555-000	SLIDE BLOCK	1
21		105-09701	FELT	1
22		B1466-053-000	WALKING BAR DRIVING LINK	1
23		B1466-563-000	WALKING BAR	1
24		B1467-053-0A0	WALKING BAR ASM.	1
25		B1468-053-000	WALKING BAR SPRING	1
26		SS-6151780-SP	SCREW 15/64-28 L=17.0	1
27		214-06509	UPPER FEED GUIDE PLATE	1
28		135-14310	ROLLER	1
29		SS-6151920-SP	SCREW 15/64-28 L=19.0	1
30		SS-7150740-SP	SCREW 15/64-28 L=7	1
31		213-40104	UPPER FEED ROD	1
32		D1456-055-800	HINGE SCREW	1
33		D1455-055-800	CONNECTING STUD	1
34		WP-0482086-SD	WASHER 4.8X11.5X2	1
35		NS-6110530-SP	NUT 11/64-40	1
36		213-40203	UPPER FEED REAR ARM	1
37		SM-9062250-SC	SCREW M6 L=22	1
38		228-14909	FELT	1
39		213-41052	PRESSER BAR HOLDER ASM.	1
40		213-41003	PRESSER BAR HOLDER	(1)
41		SS-7110910-TP	SCREW 11/64-40 L=8.5	(1)
42		213-40906	PRESSER ADJUSTING SCREW	1
43		B1511-555-000	NUT	1
44		B1502-246-000	PRESSER SPRING	1
45		SD-0800481-SP	HINGE SCREW D=8 H=4.9	1
46		213-41151	THREAD RELEASE HOLDING PLATE	1
47		B1462-053-000	THREAD RELEASE SPRING	1
48		214-06103	PRESSER LIFTER LEVER	1
49		214-06608	GUIDE PLATE SPACER	1
50		SS-6090910-TP	SCREW 9/64-40 L=9	1
51		B1470-241-H00	WALKING FOOT	1
52		B1471-241-H00	SCREW	1
53		B1501-241-H00	PRESSER BAR	1
54		B1510-155-000	PRESSER BAR LOWER BUSHING	1
55		B1525-241-HA0	PRESSER FOOT ASM.	1
56		B1525-241-H00	PRESSER FOOT	(1)
57		103-37905	FINGER GUARD	(1)

4. PRESSURE ADJUSTING & UPPER FEED

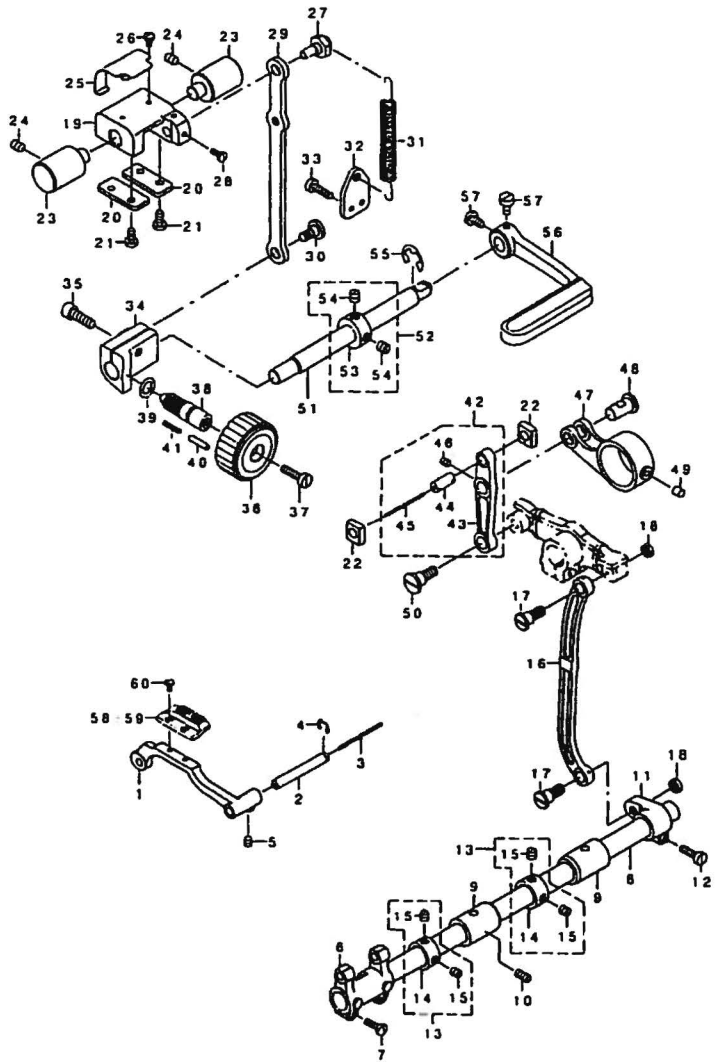
押え圧調節・上送り関係

MECHANISM COMPONENTS



5. FEED MECHANISM COMPONENTS

送り関係



REF. NO.	NOTE	PART NO.	DESCRIPTION	QTY.
1		214-05006	FEED BASE	1
2		B1604-012-000-A	FEED BAR SHAFT	1
3		C0-2010000-00	OIL RICE	0.14
4		RE-0500711-KP	SNAP RING 5	1
5		SS-8050002-TP	SCREW #5 L=5	1
6		213-64104	FEED ROLLER	1
7		SS-7111410-TP	SCREW 11/64-40 L=14	1
8		226-09408	FEED ROLL SHAFT	1
9		213-78302	FEED SHAFT METAL	2
10		SS-8151150-TP	SCREW 15/64-28 L=10.5	1
11		226-09309	FEED ROLLER SHAFT CRANK	1
12		SS-6121610-TP	SCREW 3/16-28 L=15.5	1
13		229-04155	MAIN SHAFT THRUST COLLAR ASM.	2
14		229-04106	MAIN SHAFT THRUST COLLAR	(1)
15		SS-8460610-TP	SCREW 1/4-40 L=6	(2)
16		102-05201	NEEDLE BAR FRAME ROD	1
17		SO-0900701-TP	HINGE SCREW D=8 H=7	2
18		NS-0640320-SP	NUT 9/32-20	2
19		213-37506	FEED ADJUSTING BASE	1
20		213-37704	FEED ADJUSTING BASE COVER	2
21		SS-7110810-TP	SCREW 11/64-40 L=8.5	4
22		213-37407	SQUARE BLOCK	2
23		213-37803	FEED ADJUSTING BASE SUPPORT	2
24		SS-8150822-TP	SCREW 15/64-28 L=8	2
25		213-38306	FELT SUPPORT	1
26		SS-7090610-SP	SCREW 9/64-40 L=6	2
27		213-37802	ECCENTRIC PIN	1
28		SS-7090510-TP	SCREW 9/64-40 L=8.5	2
29		213-37308	FEED ADJUSTING ROD	1
30		SO-0800402-TP	HINGE SCREW D=8 H=4	1
31		213-37805	SPRING	1
32		213-38009	SPRING HOOD	1
33		SS-6111610-SP	SCREW 11/64-40 L=16	2
34		213-37209	FEED ADJUSTING A	1
35		SS-6081802-TP	SCREW #8 L=18	1
36		213-38205	FEED DIAL A	1
37		SS-6121660-SP	SCREW 3/16-28 L=16	1
38		110-09808	FEED REGULATOR SCREW	1
39		NO-0922702-00	RUBBER RING	1
40		110-52701	PIN	1
41		229-12109	FEED REGULATOR PIN SPRING	1
42		213-36656	FEED LINE ASM.	1
43		213-36607	FEED LINE	(1)
44		B1418-761-000	CONNECTING FORKED LINE PIN	(1)
45		C0-2020000-00	OIL RICE	(0.04)
46		SS-8050812-TP	SCREW #8 L=12	(1)
47		213-36706	FEED ROD A	1
48		213-38207	FEED LINE PIN	1
49		228-14809	FELT	1
50		SO-1000R01-SH	HINGE SCREW D=10 H=8	1
51		213-36300	BACKWARD FEED LEVER SHAFT	1
52		CS-1201010-SH	THRUST COLLAR ASM. D=12 W=10	1
53		CS-1201011-SH	THRUST COLLAR D=12 W=10	(1)
54		SS-8460610-TP	SCREW 1/4-40 L=6	(2)
55		RE-0900000-KD	E-RING 9	1
56		226-10505	REVERSE FEED CONTROL LEVER	1
57		SS-6120930-TP	SCREW 3/16-28 L=8	2
58	201	214-10204	FEED DOG (4x2.5)	1
59	202	214-10303	FEED DOG (6x2.5)	1
60		SS-4080620-TP	SCREW 1/8-44 L=6	2
NOTE (1),(2)		201... FOR DNU-1541	DNU-1541M	
		202... FOR DNU-15415	DNU-15415M	

6. HOOK SHAFT & LOWER SHAFT COMPONENTS

釜軸・下軸関係

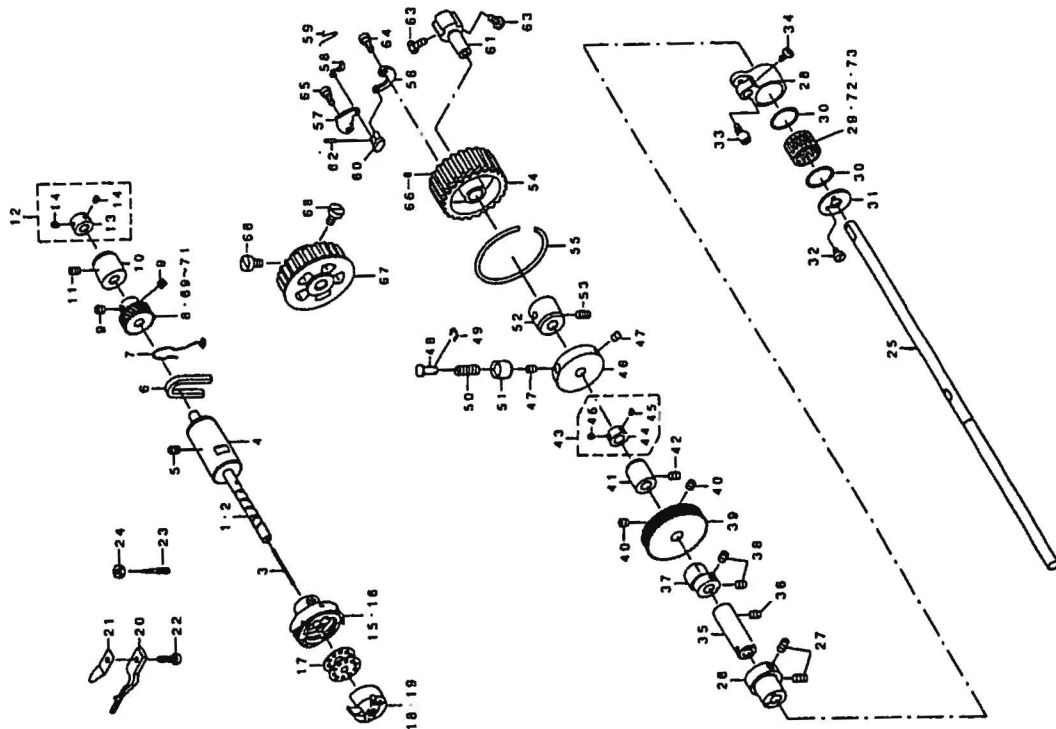
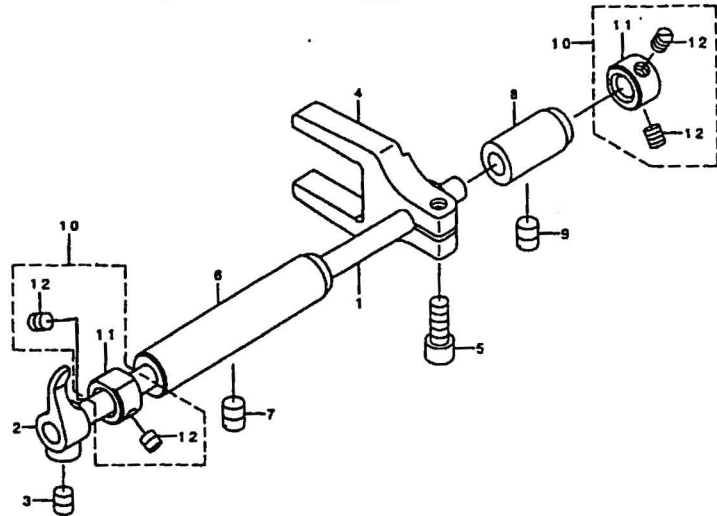


FIG. NO.	QTY.	PART. NO.	DESCRIPTION	FIG.
1	1	201	214-0334K	HOOK SHAFT
2	1	202	214-0335K	OIL WICK
3	1	203	214-0336K	DRIVING SHAFT BEARING, FRONT
4	1	204	214-0337K	OIL WICK
5	1	205	214-0338K	DRIVING SHAFT BEARING, FRONT
6	1	206	214-0339K	OIL WICK
7	1	207	214-0340K	DRIVING SHAFT BEARING, FRONT
8	1	208	214-0341K	OIL WICK
9	1	209	214-0342K	DRIVING SHAFT BEARING, FRONT
10	1	210	214-0343K	OIL WICK
11	1	211	214-0344K	DRIVING SHAFT BEARING, FRONT
12	1	212	214-0345K	OIL WICK
13	1	213	214-0346K	DRIVING SHAFT BEARING, FRONT
14	1	214	214-0347K	OIL WICK
15	1	215	214-0348K	DRIVING SHAFT BEARING, FRONT
16	1	216	214-0349K	OIL WICK
17	1	217	214-0350K	DRIVING SHAFT BEARING, FRONT
18	1	218	214-0351K	OIL WICK
19	1	219	214-0352K	DRIVING SHAFT BEARING, FRONT
20	1	220	214-0353K	OIL WICK
21	1	221	214-0354K	DRIVING SHAFT BEARING, FRONT
22	1	222	214-0355K	OIL WICK
23	1	223	214-0356K	DRIVING SHAFT BEARING, FRONT
24	1	224	214-0357K	OIL WICK
25	1	225	214-0358K	DRIVING SHAFT BEARING, FRONT
26	1	226	214-0359K	OIL WICK
27	1	227	214-0360K	DRIVING SHAFT BEARING, FRONT
28	1	228	214-0361K	OIL WICK
29	1	229	214-0362K	DRIVING SHAFT BEARING, FRONT
30	1	230	214-0363K	OIL WICK
31	1	231	214-0364K	DRIVING SHAFT BEARING, FRONT
32	1	232	214-0365K	OIL WICK
33	1	233	214-0366K	DRIVING SHAFT BEARING, FRONT
34	1	234	214-0367K	OIL WICK
35	1	235	214-0368K	DRIVING SHAFT BEARING, FRONT
36	1	236	214-0369K	OIL WICK
37	1	237	214-0370K	DRIVING SHAFT BEARING, FRONT
38	1	238	214-0371K	OIL WICK
39	1	239	214-0372K	DRIVING SHAFT BEARING, FRONT
40	1	240	214-0373K	OIL WICK
41	1	241	214-0374K	DRIVING SHAFT BEARING, FRONT
42	1	242	214-0375K	OIL WICK
43	1	243	214-0376K	DRIVING SHAFT BEARING, FRONT
44	1	244	214-0377K	OIL WICK
45	1	245	214-0378K	DRIVING SHAFT BEARING, FRONT
46	1	246	214-0379K	OIL WICK
47	1	247	214-0380K	DRIVING SHAFT BEARING, FRONT
48	1	248	214-0381K	OIL WICK
49	1	249	214-0382K	DRIVING SHAFT BEARING, FRONT
50	1	250	214-0383K	OIL WICK
51	1	251	214-0384K	DRIVING SHAFT BEARING, FRONT
52	1	252	214-0385K	OIL WICK
53	1	253	214-0386K	DRIVING SHAFT BEARING, FRONT
54	1	254	214-0387K	OIL WICK
55	1	255	214-0388K	DRIVING SHAFT BEARING, FRONT
56	1	256	214-0389K	OIL WICK
57	1	257	214-0390K	DRIVING SHAFT BEARING, FRONT
58	1	258	214-0391K	OIL WICK
59	1	259	214-0392K	DRIVING SHAFT BEARING, FRONT
60	1	260	214-0393K	OIL WICK
61	1	261	214-0394K	DRIVING SHAFT BEARING, FRONT
62	1	262	214-0395K	OIL WICK
63	1	263	214-0396K	DRIVING SHAFT BEARING, FRONT
64	1	264	214-0397K	OIL WICK
65	1	265	214-0398K	DRIVING SHAFT BEARING, FRONT
66	1	266	214-0399K	OIL WICK
67	1	267	214-0400K	DRIVING SHAFT BEARING, FRONT
68	1	268	214-0401K	OIL WICK
69	1	269	214-0402K	DRIVING SHAFT BEARING, FRONT
70	1	270	214-0403K	OIL WICK
71	1	271	214-0404K	DRIVING SHAFT BEARING, FRONT
72	1	272	214-0405K	OIL WICK
73	1	273	214-0406K	DRIVING SHAFT BEARING, FRONT

7. OPENER COMPONENTS (FOR DNU-1541S)

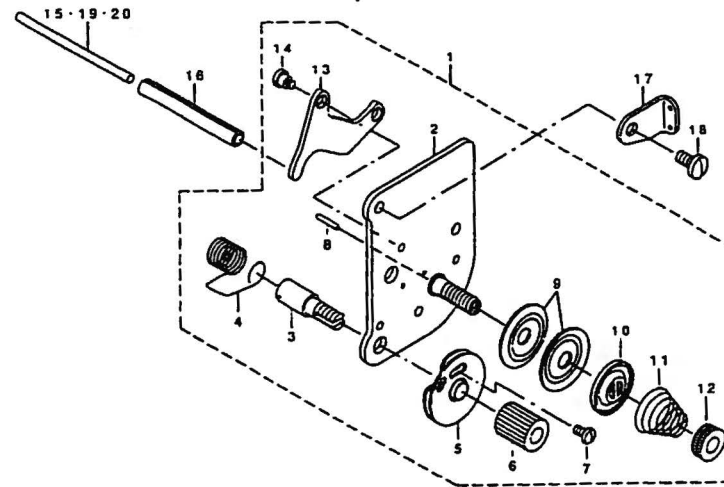
オープナ関係 (DNU-1541S用)



REF. NO.	NOTE	PART NO.	DESCRIPTION	QTY.
1		214-04504	OPENER SHAFT	1
2		B1805-241-H00	OPENER	1
3		SW-8050602-TP	SCREW M5 L=6	1
4		B1806-241-H00	OPENER ARM	1
5		SW-6051202-TP	SCREW M5X0.8 L=12	1
6		214-04603	BUSHING, FRONT	1
7		SS-8150710-TP	SCREW 15/64-28 L=7	1
8		B1810-241-H00	OPENER SHAFT REAR METAL	1
9		SS-8150710-TP	SCREW 15/64-28 L=7	1
10		CS-0640860-SB	THRUST COLLAR ASM. D=6.35 W=8	2
11		CS-0640863-SH	THRUST COLLAR D=6.35 W=8	(2)
12		SS-8110510-SP	SCREW 11/64-40 L=5	(4)

8. THREAD TENSION COMPONENTS

糸調子関係

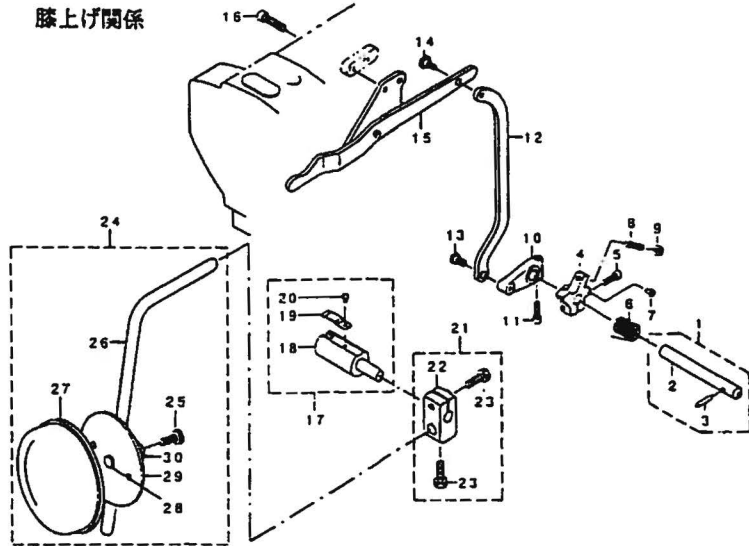


REF. NO.	NOTE	PART NO.	DESCRIPTION	QTY.
1		214-09065	THREAD TENSION ASM.	1
2		214-09057	THREAD POST BASE COMPL.	(1)
3		103-20109	SCREW STUD	(1)
4		B3128-520-000	TENSION SPRING	(1)
5		B3137-051-0A0	TAKE-UP SPRING GUIDE DISC ASM.	(1)
6		103-20208	THREAD TENSION STUD NUT	(1)
7		SS-4080610-SP	SCREW 1/8-44 L=6.4	(1)
8		B3127-051-000	TENSION RELEASE PIN, SHORT	(1)
9		B3126-012-000	THREAD TENSION DISK	(2)
10		226-17906	THREAD TENSION DISK PRESSER	(1)
11		B3129-053-000	TENSION SPRING	(1)
12		B3125-012-000	THREAD TENSION NUT	(1)
13		B3134-521-000	TENSION RELEASE LEVER	(1)
14		SD-0470281-SP	HINGE SCREW D=4.7 H=2.8	(2)
15		230-06406	TENSION RELEASE BAR	1
16		PS-0600502-KP	SPRING PIN	1
17		214-09909	GUIDE PLATE	1
18		SS-7110910-TP	SCREW 11/64-40 L=8.5	2
19	001	213-48206	TENSION RELEASE BAR	1
20	001	103-21107	TENSION RELEASE BAR	1

NOTE (注記) 001....SELECTIVE PARTS 選択部品

9. KNEE LIFTING COMPONENTS

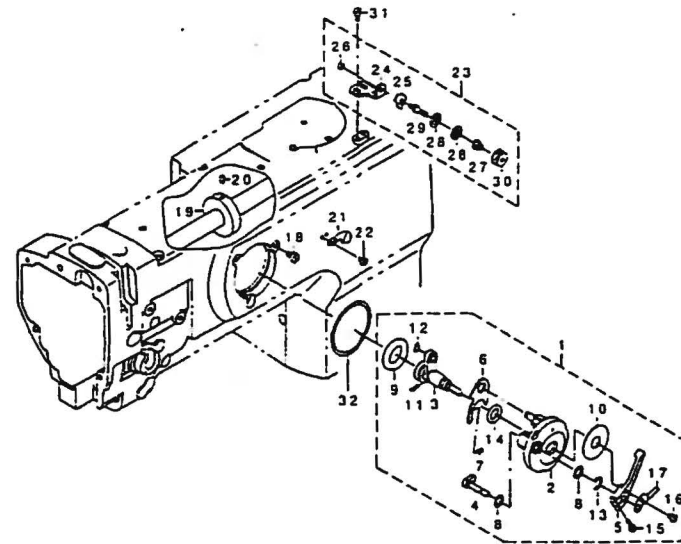
膝上げ関係



REF. NO.	NOTE	PART NO.	DESCRIPTION	QTY
1		214-06053	KNEE LIFTER SHAFT ASM.	1
2		214-06004	KNEE LIFTER SHAFT	(1)
3		213-42605	KNEE LIFTER SHAFT PIN	(1)
4		214-05804	KNEE LIFTER SPRING RACK	1
5		SW-6051602-TP	SCREW M5X0.8 L=16	1
6		214-05907	KNEE LIFTER SHIFT SPRING	1
7		SD-0450401-SP	HINGE SCREW D=4.5 H=4	1
8		SW-8052502-TP	SCREW M5X0.8 L=25	1
9		NS-6050001-SD	NUT M5X0.8	1
10		214-05709	KNEE LIFTER ARM	1
11		SW-6051602-TP	SCREW M5X0.8 L=16	1
12		314-05600	KNEE LIFTER CONNECTING PLATE	1
13		SD-0790451-SP	HINGE SCREW D=7.34 H=4.5	1
14		SD-0700451-TP	HINGE SCREW D=7 H=4.5	1
15		213-43355	KNEE LIFTER LEVER ASM.	1
16		SW-0062502-TP	SCREW M6 L=25	1
17		225-63252	KNEE LIFTER JOINT ASM.	1
18		225-63203	KNEE LIFTER JOINT	(1)
19		83428-521-000	PRESSER SPRING	1
20		SS-7090510-SP	SCREW 9/64-40 L=4.6	(1)
21		229-32453	BRACKET ASM.	1
22		229-32404	BRACKET	1
23		229-34707	SCREW	2
24		213-43157	KNEE PRESS PLATE ASM.	1
25		SW-9061203-SE	SCREW M6 L=12	(1)
26		213-43108	KNEE PRESS LEVER	(1)
27		229-34509	KNEE PAD PLATE COVER	(1)
28		229-34400	KNEE PAD PLATE RUBBER	(1)
29		229-34202	KNEE PAD PLATE	(1)
30		229-34301	KNEE PAD PLATE SUPPORT	(1)

10. LOWER THREAD WINDER MECHANISM COMPONENTS

下糸巻き装置関係



REF. NO.	NOTE	PART NO.	DESCRIPTION	QTY
1		213-67967	BOBBIN DEVICE ASM.	1
2		225-37658	BOBBIN FITTING BASIS COMPL.	(1)
3		213-57859	BOBBIN SHAFT COMPL.	(1)
4		225-38151	BOBBIN CAR SHAFT COMPL.	(1)
5		226-36202	BOBBIN LEVER	(1)
6		225-38408	ADJUSTING PLATE	(1)
7		81529-800-00C-A	PRESSER FOOT SPRING	(1)
8		106-18204	VERTICAL ROLLER WASHER	(1)
9		43216-001-00A	RUBBER RING	(1)
10		83295-210-000	CLUSTER	(1)
11		81149-525-006	SPRING	(1)
12		RC-0560711-CP	RETAINING RING	(1)
13		RE-0500000-40	E-RING	(1)
14		80-0922702-00	RUBBER RING	(1)
15		SS-7091410-SP	SCREW 9/64-40 L=12.5	(1)
16		SS-0808320-SP	SCREW 5/64-40 L=3.0	(1)
17		145-12503	BOBBIN ADJUSTING PLATE	(1)
18		SS-6110810-TP	SCREW 11/64-40 L=6	3
19		107-04807	BOBBIN FRICTION WHEEL	1
20		SW-8050602-TP	SCREW M5 L=6	2
21		105-02300	THIMBLER COVER	1
22		SS-8090610-TP	SCREW	1
23		213-55755	LOWER THREAD GUIDE ASM.	1
24		213-55706	FITTING BASE	(1)
25		83162-553-000	THREAD GUIDE	(1)
26		SS-6110210-SP	SCREW 11/64-40	(1)
27		83164-553-008	TENSION SPRING NO.1	(1)
28		83214-047-000	BOBBIN WINDER TENSION DISC	(1)
29		213-78704	THREAD TENSION POST	(1)
30		110-72402	THREAD TENSION W/	(1)
31		SW-8041800-SP	SCREW	2
32		225-38706	PACKING	1

11. LUBRICATION COMPONENTS

給油関係

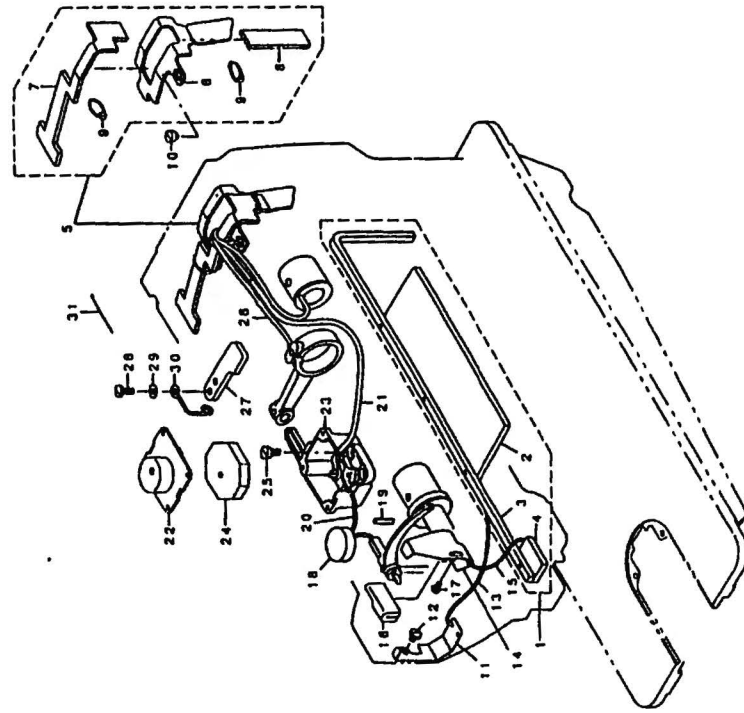
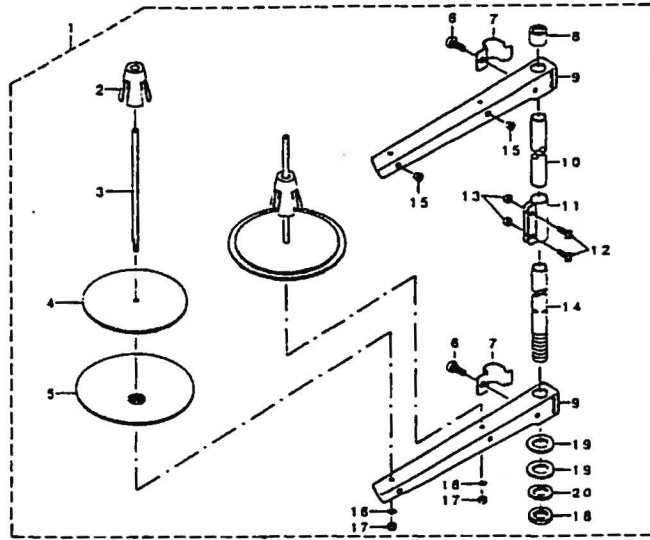


FIG. NO.	QTY.	PART NO.	DESCRIPTION	QTY.
1	1	213-45756	ARM ONCE THROUGH OIL FELT ASM.	1
2	1	213-45707	ARM ONCE THROUGH FELT A	1
3	1	213-46806	FELT B	1
4	1	213-45805	FACE ONCE THROUGH FELT	1
5	1	213-46248	FELT SUPPORT ASM.	1
6	(1)	213-46208	FELT	(1)
7	(1)	213-46208	FEED CHANGE FELT	(1)
8	(1)	213-46207	FELT	(1)
9	(2)	EA-950000-00	CLIP CV-705	(2)
10	1	SS-6110400-SP	SCREW 11/64-40 L=4.3	1
11	1	213-40708	UPPER FEED OIL BAR PLATE	1
12	0.2	SS-7110510-SP	SCREW 11/64-40 L=5	0.2
13	1	CO-2020000-00	OIL WICK	1
14	1	213-47000	TAKE-UP OIL PLATE	1
15	0.2	CO-2020000-00	OIL WICK	0.2
16	1	213-47208	TAKE-UP LUBRICATION FELT	1
17	1	SS-3090810-SP	SCREW 9/64-40 L=6	1
18	1	213-46802	FELT	1
19	0.3	B1412-051-000	FELT	0.3
20	1	CO-2520000-00	OIL WICK	1
21	1	BT-0500300-EA	OIL TUBE	1
22	1	214-07507	OIL TANK A	1
23	2	214-07606	OIL TANK B	2
24	2	214-07705	FELT	2
25	0.2	SS-6111010-SP	SCREW 11/64-40 L= 9.5	0.2
26	1	CO-2020000-00	OIL WICK	1
27	2	213-38700	UPPER FEED STOPPER PLATE (B)	2
28	1	SS-7111120-TP	SCREW	1
29	1	WP-0450001-SD	WASHER 4.5X10X0.8	1
30	1	216-20504	OIL WICK HOLDER	1
31	1	EA-9500000-00	CLIP CV-705	1

12. THREAD STAND COMPONENTS

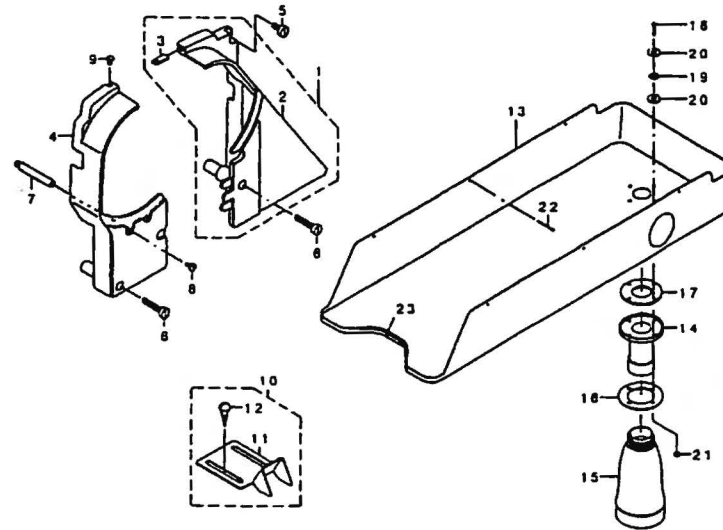
糸立て装置関係



REF. NO.	NOTE	PART NO.	DESCRIPTION	Qty.
1		229-30358	THREAD STAND ASM.	1
2		229-31109	SPOOL RETAINER	(2)
3		229-31000	SPOOL PIN	(2)
4		229-30903	SPOOL REST CUSHION	(2)
5		229-30804	SPOOL REST	(2)
6		SM-6061610-SC	SCREW 1/6 L=16	(2)
7		229-30705	THREAD GUIDE ARM JOINT	(2)
8		229-31406	SPOOL REST ROD RUBBER CAP	(1)
9		229-30507	SPOOL REST ARM	(2)
10		229-30408	SPOOL REST ROD, UPPER	(1)
11		229-31307	SPOOL REST ROD JOINT	(1)
12		SM-4051405-SE	SCREW 1/8 L=14	(2)
13		NM-6050001-SE	NUT 1/8	(2)
14		229-30309	SPOOL REST ROD, LOWER	(1)
15		229-31208	THREAD GUIDE	(2)
16		WS-0510002-KY	SPRING WASHER	(2)
17		NM-6050001-SE	NUT 1/8	(2)
18		NM-6160511-SE	NUT 1/8X1.5	(1)
19		WP-1612616-SE	WASHER 16X30X2.6	(2)
20		WS-1643202-KR	SPRING WASHER	(1)

13. BELT COVER & OIL RESERVOIR COMPONENTS

ベルトカバー・油受け関係



REF. NO.	NOTE	PART NO.	DESCRIPTION	Qty.
1		213-51150	BELT COVER ASM. (RIGHT)	1
2		213-51101	BELT COVER (RIGHT)	(1)
3		213-51002	BELT COVER AUXILIARY PLATE	(1)
4		213-51200	BELT COVER (LEFT)	1
5		SS-6151440-SP	SCREW 15/64-28 L=14	1
6		SS-6153040-SP	SCREW 15/64-28 L=30	2
7		D8232-241-E00	BELT COVER SUPPORT A	1
8		SS-7110840-SP	SCREW 11/64-40 L=7.8	1
9		SS-5110740-TP	SCREW 11/64-40 L=6.5	1
10		107-55254	BELT COVER C ASM. (FOR JE)	1
11		107-55205	BELT COVER C (JE)	(1)
12		SK-3482500-SC	WOOD SCREW D=4.8 L=25	(2)
13		214-13000	OIL RESERVOIR	1
14		88202-205-000	OIL MANAGEMENT	1
15		89121-012-000	OIL CAN	1
16		88111-220-000	WASHER	1
17		88112-220-000	OIL SEAL	1
18		SM-3031401-SE	SCREW M3X0.5 L=14	4
19		WP-0320501-SC	WASHER W3	4
20		107-48101	OIL REMOVING SETSCREW PACKING	8
21		NM-6030001-SC	NUT 1/8	4
22		105-39906	SET NAIL	6
23		NAV-02130000	EDGING	1